

M12 Actuator/Sensor Distribution Boxes

ASBS.../LED

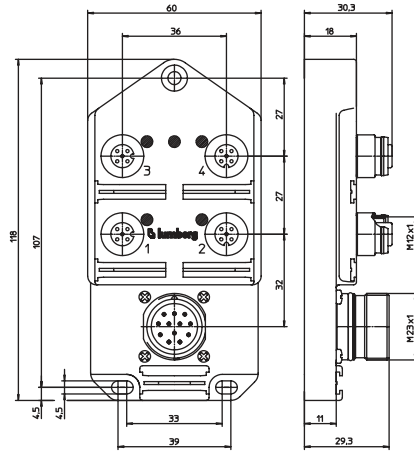


4-, 6- and 8-Ports (LED)

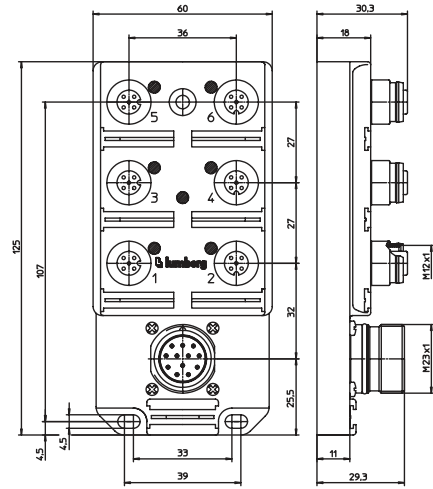
Pluggable actuator/sensor distribution box with LED operation and function indicators, 4-, 6-, and 8-ports, top-entry, M12 sockets, 4-poles, 1 signals per socket, with M23 quick-disconnect for the control cable.

– control cable type: 12P: RKU 12-256/...M or RKWU 12-256/...M –

4-Ports



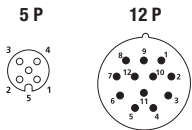
6-Ports



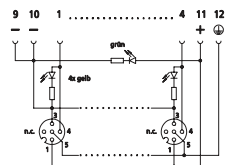
Pin Assignments

M12 / M23

Wiring Diagrams

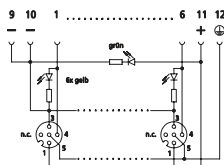


4-Ports



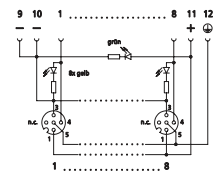
- | | | |
|-----|------|------|
| 1 = | 11 | (+) |
| 2 = | n.c. | |
| 3 = | 9 | (-) |
| 4 = | 1 | (1) |
| | 2 | (2) |
| | 3 | (3) |
| | 4 | (4) |
| | 5 | (5) |
| | 6 | (6) |
| 5 = | 12 | (PE) |

6-Ports



- | | | |
|-----|------|------|
| 1 = | 11 | (+) |
| 2 = | n.c. | |
| 3 = | 9 | (-) |
| 4 = | 1 | (1) |
| | 2 | (2) |
| | 3 | (3) |
| | 4 | (4) |
| | 5 | (5) |
| | 6 | (6) |
| 5 = | 12 | (PE) |

8-Ports



- | | | |
|-----|------|------|
| 1 = | 11 | (+) |
| 2 = | n.c. | |
| 3 = | 9 | (-) |
| 4 = | 1 | (1) |
| | 2 | (2) |
| | 3 | (3) |
| | 4 | (4) |
| | 5 | (5) |
| | 6 | (6) |
| | 7 | (7) |
| | 8 | (8) |
| 5 = | 12 | (PE) |

