
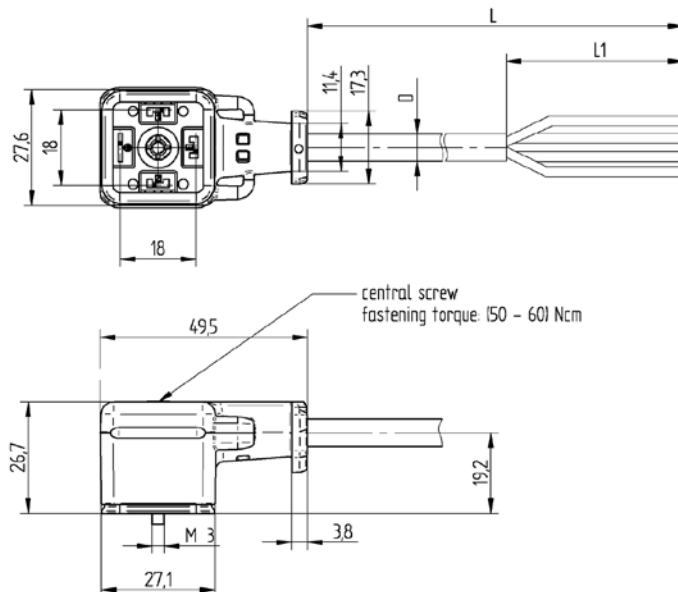




## GDM Series Valve Connectors, Type A, Overmolded Female Connectors, Protection Circuit: Recovery Diode

### Technical Information

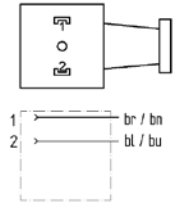
Product Description	
Order Designation	GAN22LU-D24
	
Description	Valve connector GDM series, type A, female connector overmolded, with function indicator (yellow LED) and protection circuit (recovery diode)
RoHS-Compliant (2011/65/EU)	Yes
(Construction Type) Standard	DIN EN 175301-803-A
Approvals	VDE
Technical Data	
No. of Pins	2, 2 + 2 PE
Ambient Temperature	-25 °C to +85 °C (with additional gasket: -40 °C/+105 °C)
Housing/Grip/Screw Coupling	TPU, gray translucent
Contact Holder	PA 66
Contact	CuZn
Central Screw	4.8, Fe/Zn B
Flammability Class	HB
Mechanical Data	
Degree of Protection	IP67, IP68/IP69K with PUR cable (only when mated with Hirschmann/Lumberg counterparts)
Electrical Data	
Circuit	With/without yellow LED, recovery diode
Rated Voltage	24 V AC/DC; recovery-diode only DCV, no AC available
Rated Current	10 A (cable: 0.75 mm <sup>2</sup> ), 6 A (cable: 0.5 mm <sup>2</sup> )
Pollution Degree	3
Accessories	
Cable	PVC, PUR
Conductor Size	2 x 0.75 mm <sup>2</sup> , 3 x 0.50 mm <sup>2</sup> , 3 x 0.75 mm <sup>2</sup> , 4 x 0.50 mm <sup>2</sup> , 4 x 0.75 mm <sup>2</sup>
Scope of Delivery or Accessories (incl.)	Central screw
Accessories to be Ordered Separately	735633002, GAN gasket 735656002, fixing clip for additional gasket
Technical Drawing	



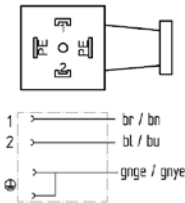
# Be Certain with Belden

## Pin Assignment

### GAN no PE

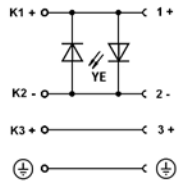


### GAN 2 + 2 PE



## Circuit Diagram

### P-Code: D2



## Order Information

Order No.	Order Designation	No. of Pins	Cable Length	Rated Voltage	Conductor Size	Jacket	Characteristics
934889012	GAN22LU-D24-2120200	2 + 2 PE	2 M	24 V AC/DC; recovery-diode only DCV, no AC available	3 x 0.50 mm <sup>2</sup>	PVC, black	
934889013	GAN22LU-D24-2120500	2 + 2 PE	5 M	24 V AC/DC; recovery-diode only DCV, no AC available	3 x 0.50 mm <sup>2</sup>	PVC, black	
934889014	GAN22LU-D24-2121000	2 + 2 PE	10 M	24 V AC/DC; recovery-diode only DCV, no AC available	3 x 0.50 mm <sup>2</sup>	PVC, black	
934889015	GAN22LU-D24-2260200	2 + 2 PE	2 M	24 V AC/DC; recovery-diode only DCV, no AC available	3 x 0.50 mm <sup>2</sup>	PUR, black	
934889016	GAN22LU-D24-2260500	2 + 2 PE	5 M	24 V AC/DC; recovery-diode only DCV, no AC available	3 x 0.50 mm <sup>2</sup>	PUR, black	
934889017	GAN22LU-D24-2261000	2 + 2 PE	10 M	24 V AC/DC; recovery-diode only DCV, no AC available	3 x 0.50 mm <sup>2</sup>	PUR, black	

Conversion table mm<sup>2</sup> to AWG on page 22.