

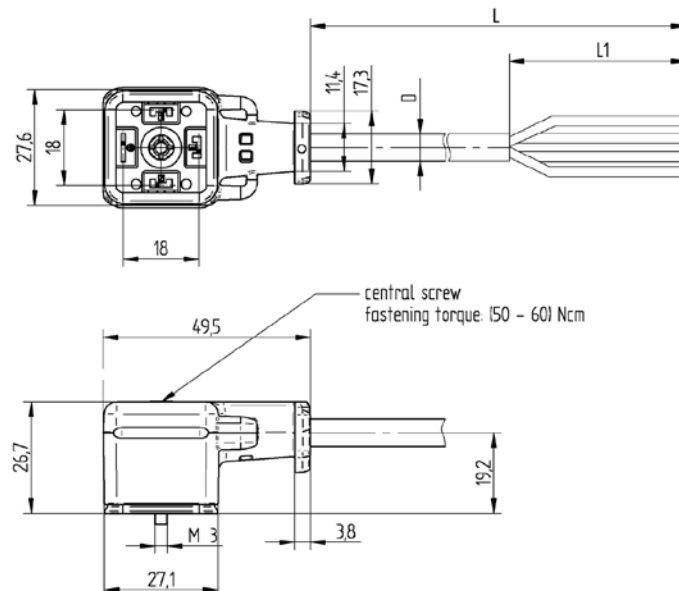


GDM Series Valve Connectors, Type A, Overmolded Female Connectors, for Pressure Switch Applications

Technical Information

Product Description	
Order Designation	GAN31LU-P1M GAN31LU-P2M
	 
Description	Valve connector GDM series, type A, female connector overmolded, for pressure switches, status indicator for make/break contact Valve connector GDM series, type A, female connector overmolded, for pressure switches, status indicator for operation/make contact
RoHS-Compliant (2011/65/EU)	Yes
(Construction Type) Standard	DIN EN 175301-803-A
Approvals	VDE
Technical Data	
No. of Pins	3 + PE
Ambient Temperature	-25 °C to +85 °C (with additional gasket: -40 °C/+105 °C)
Housing/Grip/Screw Coupling	TPU, gray translucent
Contact Holder	PA 66
Contact	CuZn
Central Screw	4.8, Fe/Zn B
Flammability Class	HB
Mechanical Data	
Degree of Protection	IP67, IP68/IP69K with PUR cable (only when mated with Hirschmann/Lumberg counterparts)
Electrical Data	
Circuit	Green/yellow LED, pressure switch: P1-P4 (operation)/P3-P4 (function)
Rated Voltage	24 V AC/DC
Rated Current	10 A (cable: 0.75 mm ²) 6 A (cable: 0.5 mm ²)
Pollution Degree	3
Accessories	
Cable	PVC, PUR
Conductor Size	3 x 0.50 mm ² , 3 x 0.75 mm ²
Scope of Delivery or Accessories (incl.)	Central screw
Accessories to be Ordered Separately	735633002, GAN gasket 735656002, fixing clip for additional gasket

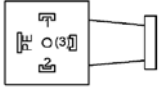
Technical Drawing



Be Certain with Belden

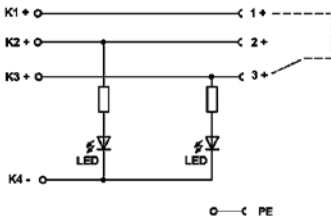
Pin Assignment

GAN 3 + PE

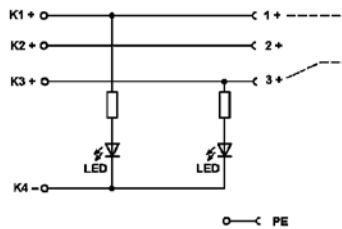


Circuit Diagram

P-Code: P1



P-Code: P2



Order Information

Order No.	Order Designation	No. of Pins	Cable Length	Rated Voltage	Conductor Size	Jacket	Characteristics
934889109	GAN31LU-P1M-6110200	3 + PE	2M	24 V AC/DC	5 x 0.75 mm ²	PVC, gray	VDE C U
934889110	GAN31LU-P1M-6110500	3 + PE	5M	24 V AC/DC	5 x 0.75 mm ²	PVC, gray	VDE C U
10546	GAN31LU-P1M-6111000	3 + PE	10M	24 V AC/DC	5 x 0.75 mm ²	PVC, gray	VDE C U
934889061	GAN31LU-P2M-2280200	3 + PE	2 M	24 V AC/DC	5 x 0.50 mm ²	PUR, black	VDE C U
934889062	GAN31LU-P2M-2280500	3 + PE	5 M	24 V AC/DC	5 x 0.50 mm ²	PUR, black	VDE C U
934889063	GAN31LU-P2M-2281000	3 + PE	10 M	24 V AC/DC	5 x 0.50 mm ²	PUR, black	VDE C U
934889064	GAN3ZLU-P2M-2280200	3 + PE	2 M	24 V AC/DC	5 x 0.50 mm ²	PUR, black	VDE C U
934889065	GAN3ZLU-P2M-2280500	3 + PE	5 M	24 V AC/DC	5 x 0.50 mm ²	PUR, black	VDE C U
934889066	GAN3ZLU-P2M-2281000	3 + PE	10 M	24 V AC/DC	5 x 0.50 mm ²	PUR, black	VDE C U
934889067	GAN3ZLU-P2M-2281500	3 + PE	15M	24 V AC/DC	5 x 0.50 mm ²	PUR, black	VDE C U
10558	GAN3ZLU-P2M-2590200	3 + PE	2 M	24 V AC/DC	5 x 0.50 mm ²	PUR, orange	VDE C U
934889068	GAN3ZLU-P2M-2590500	3 + PE	5 M	24 V AC/DC	5 x 0.50 mm ²	PUR, orange	VDE C U
934889069	GAN3ZLU-P2M-2591000	3 + PE	10 M	24 V AC/DC	5 x 0.50 mm ²	PUR, orange	VDE C U

Conversion table mm² to AWG on page 22.