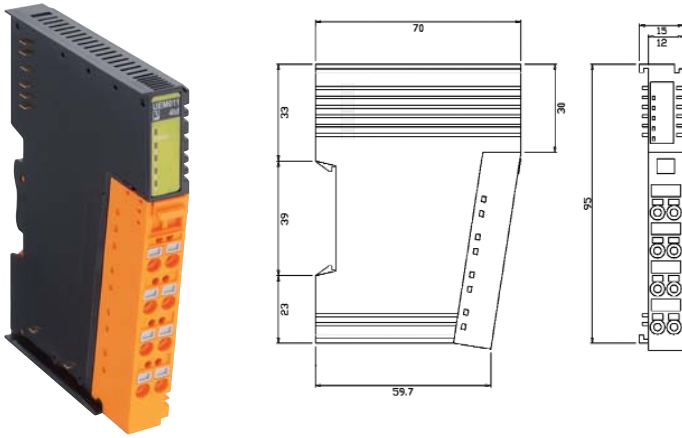


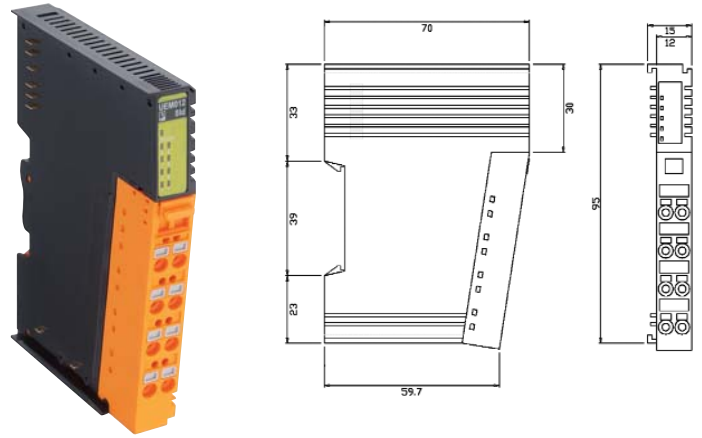
**0922 UEM 011 (PNP) / 0922 UEM 014 (NPN)**

e2c 20 4-point 12V/ 24V DC discrete input modules



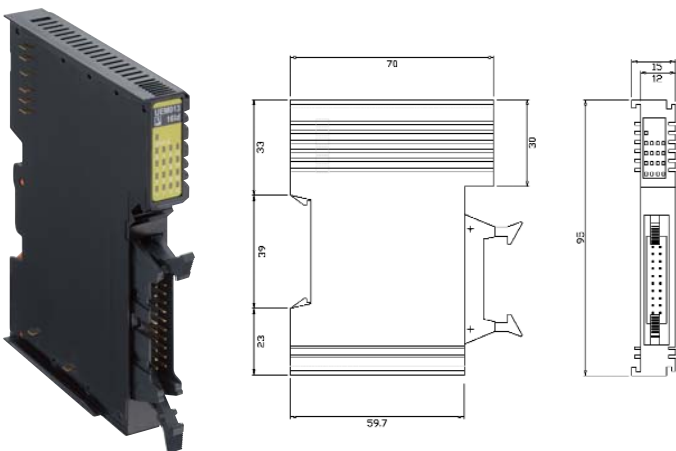
**0922 UEM 012 (PNP) / 0922 UEM 015 (NPN)**

e2c 20 8-point 12V/ 24V DC discrete input modules.









**0922 UEM 013 (PNP) / 0922 UEM 016 (NPN)**

e2c 20 16-point 12V/ 24V DC discrete Input modules.



<b>Technical data</b>	
Operating temperature range	-20°C (-4°F) to +60°C (140°F)
Weight	UEM 011 / UEM 012 / UEM 014 UEM 015: 70 g  UEM 013 / UEM 016: 65 g
<b>Power supply</b>	
Nominal voltage	<b>from U<sub>System</sub></b> 5 V
Power consumption	UEM 011 / UEM 012 / UEM 014 UEM 015: max. 35 mA  UEM 013 / UEM 016: max. 45 mA
<b>Input power supply</b>	
Nominal voltage	<b>from U<sub>Aux</sub></b> 24 V DC
Voltage range	11-30 V
<b>Inputs</b>	
Nominal input voltage	<b>Type 2 acc. to IEC 61131-2</b> 24 V DC
Signal state "1"	11-30 V
Signal state "0"	-3-5 V
Input current at 24 V	6 mA
Input circuit	UEM 011 / UEM 012 / UEM 013: PNP  UEM 014 / UEM 015 / UEM 016: NPN
Number of digital channels	UEM 011 / UEM 014: 4 UEM 012 / UEM 015: 8 UEM 013 / UEM 016: 16
Channel status indicator	LED, green
<b>Module diagnostics</b>	
Indication	Network status LED, red/green

Part numbers		
0922 UEM 011	0922 UEM 012	 
0922 UEM 014	0922 UEM 015	 
0922 UEM 013		 
0922 UEM 016		