

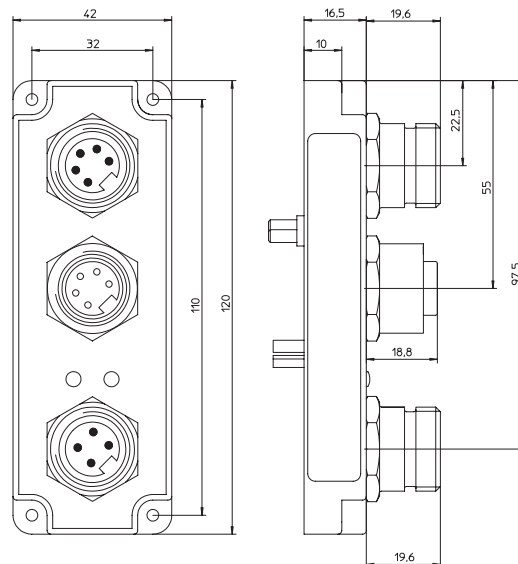
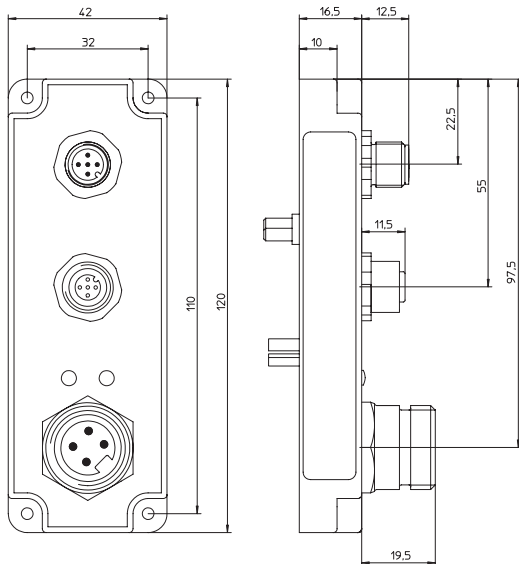
### 0941 DNC 101

e2c 67 **PlugBox** for DeviceNet, 5-pole male and female Micro (M12) connector for the bus and 4-pole female Mini (7/8) connector for the power supply.



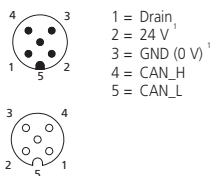
### 0941 DNC 301

e2c 67 **PlugBox** for DeviceNet, 5-pole male and female Mini (7/8) connector for the bus and 4-pole female Mini (7/8) connector for the power supply.



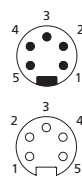
## Pin Assignment

### Bus Connection Micro (M12)



- 1 = Drain<sup>1</sup>
- 2 = 24 V<sup>1</sup>
- 3 = GND (0 V)<sup>1</sup>
- 4 = CAN\_H
- 5 = CAN\_L

### Bus Connection Mini 7/8"



- 1 = Drain<sup>1</sup>
- 2 = 24 V<sup>1</sup>
- 3 = gnd (0 V)<sup>1</sup>
- 4 = CAN\_H
- 5 = CAN\_L

### Power Supply Mini (7/8")



- 1 = 24 V<sup>2</sup>
- 2 = 24 V<sup>3</sup>
- 3 = GND (0 V)<sup>3</sup>
- 4 = GND (0 V)<sup>2</sup>

- <sup>1</sup> = system
- <sup>2</sup> = actuators 1
- <sup>3</sup> = actuators 2

<b>Technical Data</b>	
Degree of protection	IP 67 (fully locked position only)
<b>0941 DNC 101</b>	
Weight	174 g
Bus connection	Input: M12 male connector, 5 poles
	Output: M12 female connector, 5 poles
Power supply connection	Mini (7/8") male connector, 4 poles for system, sensor, and actuator supply
Actuator current	max. 6 A (group)
Diagnostic indication	AUX 1 - green - actuator supply 1 active
	AUX 2 - green - actuator supply 2 active
<b>0941 DNC 301</b>	
Weight	205 g
Bus connection	Input: Mini (7/8") male connector, 5 poles
	Output: Mini (7/8") female connector, 5 poles
Power supply connection	Mini (7/8") male connector, 4 poles for system, sensor, and actuator supply
Actuator current	max. 6 A (group)
Diagnostic indication	AUX 1 - green - actuator supply 1 active
	AUX 2 - green - actuator supply 2 active

**Part numbers**

0941 DNC 101	
0941 DNC 301	