

7/8"-Splitters/T-Connectors / Power Tap

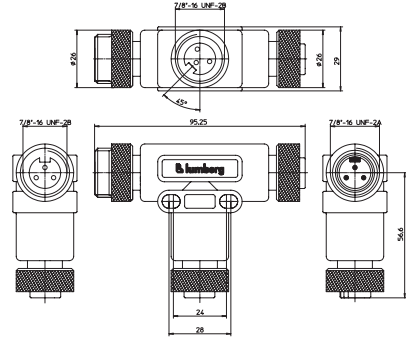
0906 UTP 311



2 x 7/8" Female to 1 x 7/8" Male

Splitter/T-connector, with one 7/8" female, one 7/8" male and one 7/8" female connectors, 3-poles.

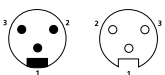
0906 UTP 303



Pin Assignments

Face Views

7/8" - 3 poles



- 1 = earth
- 2 = + 24 V
- 3 = GND (0 V)



Be Certain with Belden

7/8"-Splitters/T-Connectors / Power Tap 0906 UTP 311

Technical Data

Environmental

Degree of protection IP 67 / NEMA 6P
 Operating temperature range -40°C (-40°F) / +90°C (+194°F)

Mechanical

Housing / Molded body TPU
 Insert TPU
 Contact CuZn, gold over silver plating
 Coupling nut Aluminum, black anodized

Electrical

Nominal current 8 A
 Nominal voltage 600 V

Splitters and Adapters

Part Number	Pins	Characteristics
-------------	------	-----------------

0906 UTP 311

3

