

## M12 Actuator/Sensor Distribution Boxes

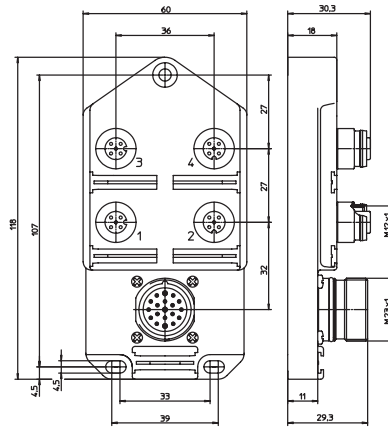
**ASBSV**


### 4-, 6-, and 8-Ports

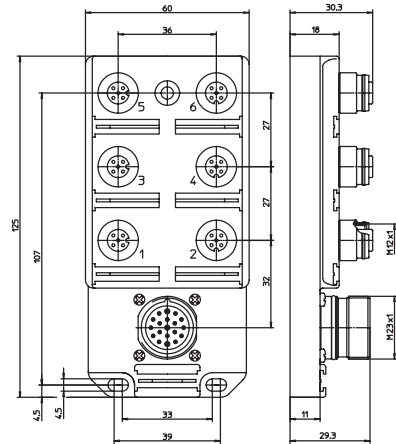
Pluggable actuator/sensor distribution box, 4-, 6-, and 8-ports, top-entry, M12 sockets, 5-poles, 2 signals per socket, with M23 quick-disconnect for the control cable.

– control cable type: 19P: RKU 19-242/...M or RKWU 19-242/...M –

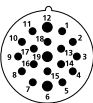
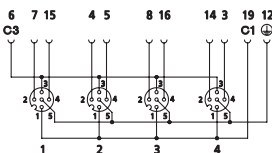
### 4-Ports



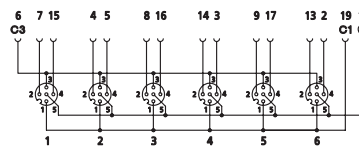
### 6-Ports



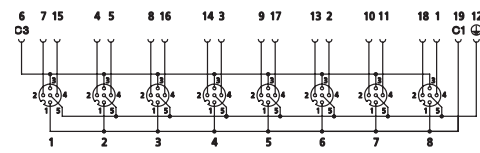
## Pin Assignments

**M12 / M23**
**Wiring Diagrams**
**5 P / 19 P**

**4-Ports**


1 =	19	(C1)
2 =	1	(7)
	2	(4)
	3	(8)
	4	(14)
3 =	6	(C3)
4 =	1	(15)
	2	(5)
	3	(16)
	4	(3)
5 =	12	(PE)

**6-Ports**


1 =	19	(C1)
2 =	1	(7)
	2	(4)
	3	(8)
	4	(14)
	5	(9)
	6	(13)
3 =	6	(C3)
4 =	1	(15)
	2	(5)
	3	(16)
	4	(3)
	5	(17)
	6	(2)
5 =	12	(PE)

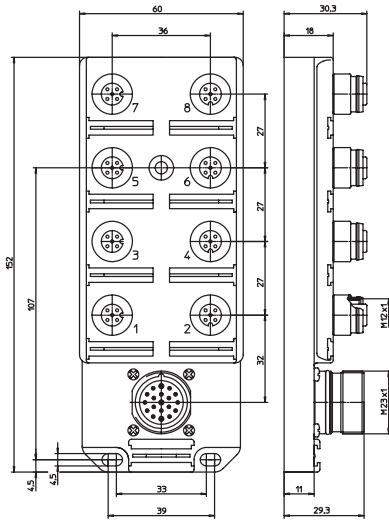
**8-Ports**


1 =	19	(C1)
2 =	1	(7)
	2	(4)
	3	(8)
	4	(14)
	5	(9)
	6	(13)
	7	(10)
	8	(18)
3 =	6	(C3)
4 =	1	(15)
	2	(5)
	3	(16)
	4	(3)
	5	(17)
	6	(2)
	7	(11)
	8	(1)
5 =	12	(PE)

# Be Certain with Belden

## M12 Actuator/Sensor Distribution Boxes ASBSV 4 5 | ASBSV 6 5 | ASBSV 8 5

### 8-Ports



### Technical Data

#### Environmental

Degree of protection IP 67 / NEMA 6P  
 Operating temperature range -15°C (+5°F) / +80°C (+176°F)

#### Mechanical

Housing TPU, self-extinguishing  
 Insert PA GF, self-extinguishing  
 Contact CuZn, pre-nickel and 0.8 microns gold-plated  
 Receptacle shell CuZn, nickel-plated  
 O-ring FKM

#### Electrical

Contact resistance  $\leq 5m\Omega$   
 Voltage rating 30 V AC/DC  
 Current rating 4 A per port / 10 A max. total  
 Insulation resistance  $> 10^9 \Omega$

#### Accessories (included)

ZVK 2 dust covers for unused sockets  
 ZBS 10 attachable labels

Part Number	Ports	Mating Control Cables	Characteristics
ASBSV 4 5	4	RKU 19-242/...M or RKWU 19-242/...M	
ASBSV 6 5	6	RKU 19-242/...M or RKWU 19-242/...M	
ASBSV 8 5	8	RKU 19-242/...M or RKWU 19-242/...M	