

**PB 1047LE-AG**
**Lumberg Automation™  
Wash-down Connectors**

Increase productivity with connectors that remain reliable even when subjected to extreme temperatures and excessive mechanical stress caused by high-pressure cleaning.



**The Connectors in our New Wash-down Series Combine Proven Lumberg Automation™ M8 and M12 Connection Technology with ECOLAB, UL\* Certification. They also Operate at Temperatures of up to 105°C (UL up to 90°C).**

- Fast and easy commissioning saves time and costs
- International applicability with global compliance industry standards (UL and ECOLAB)
- Industrial protection class IP69K and resistance to aggressive chemicals guarantee long-term functional reliability

The new wash-down connectors use industry-proven M8 or M12 technology and come with ECOLAB's seal of quality and UL\* certificate for operation at up to 90°C. In other words, they can withstand the highest temperatures, but they also fulfill the most stringent requirements concerning impermeability and resistance to aggressive chemicals and cleaning agents. This ensures reliable data transmission at all times even under extreme environmental conditions.

**Applications:**

The wash-down connectors have been developed for use in the food and beverage sector and in the chemical and pharmaceutical industry. They can be used in bottling plants either for bottling and packaging or bottle cleaning applications since they provide a high standard of hygiene.

This is particularly relevant when reconfiguring production lines. Components need to be suitable for dismantling and reassembly plus be able to withstand cleaning agents. These new wash-down connectors are ideal for this use.

We would like to hear about the requirements of your particular applications. We hope we can apply our many years of experience and custom-made solutions to your challenges.

**Benefits:**

The new Lumberg Automation™ wash-down connectors are simple and easy to install, saving you both time and costs.

For maximum flexibility, these M8 and M12 versions are available as straight and right angle connectors. Our wash-down series is also extremely versatile, comprising various numbers of poles and cable lengths (cables are available by the meter).

Additionally, they offer long-term functional reliability due to meeting industrial protection class IP69K and they are resistant to aggressive chemicals.



# lumbergautomation

A BELDEN BRAND

## Broad Product Range with M8 and M12 Connection Technology for Wash-down Applications

Available in versions with different numbers of poles, the wash-down connectors are designed for temperatures of -40°C to +105°C in compliance with the VDE standard. Gold-plated crimp contacts ensure reliable data transmission. Designed for high shock and vibration applications, the connectors can also be used in harsh environmental conditions. In addition, the connectors are characterized by high resistance to aggressive chemicals and cleaning agents and are ECOLAB certified.

IP67/IP68/IP69K  
Connectors for  
temperatures up  
to 90°C, UL\*-certified.

### The Advantages at a Glance:









- Connectors designed to operate at temperatures of -40°C to +105°C in compliance with the VDE standard
- Certification according to UL\* and ECOLAB
- Stainless steel threaded joint (V4A)
- Industrial protection class IP67/IP68/IP69K
- M8 and M12 versions in uniform color design
- Other products from Lumberg Automation™ that can be combined with the new wash-down connectors for optimum solutions:
  - Field-attachable connectors with Duo male and female connectors plus stainless steel hexagon threaded joint, straight or angular
  - Receptacle connectors with stainless steel housing for frontal mounting (male/female)
  - Control cables No. 520, 521, 522 and 523 as bulk stock on coils/spools with 100 m or 500 m
  - Actuator/sensor distributor with stainless steel housing and threaded joint (with or without diagnostics)
  - AS-Interface modules with stainless steel housing and threaded joint

\*Certification pending

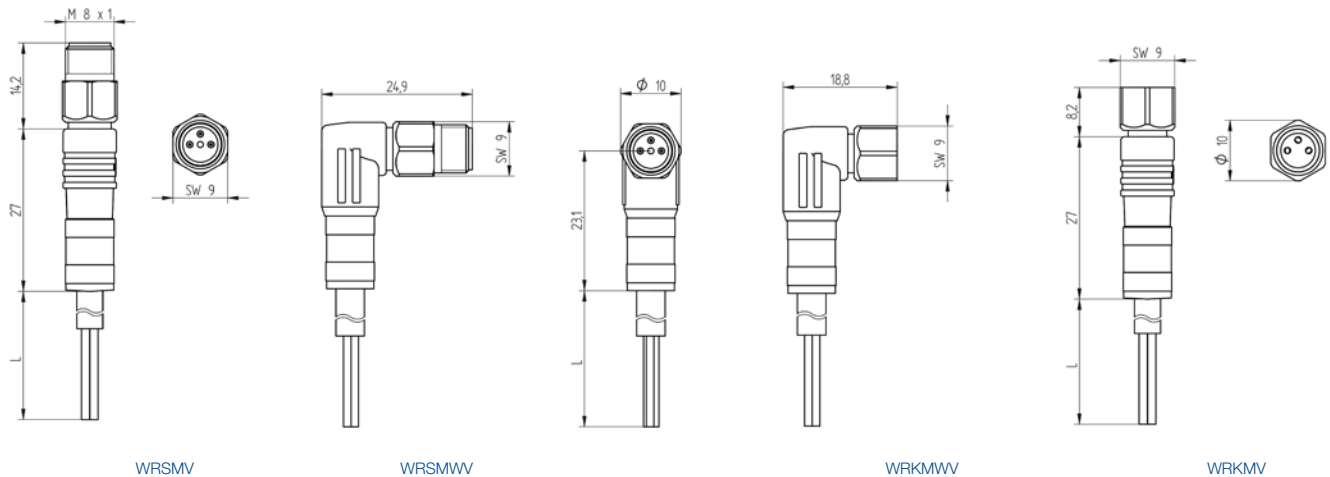




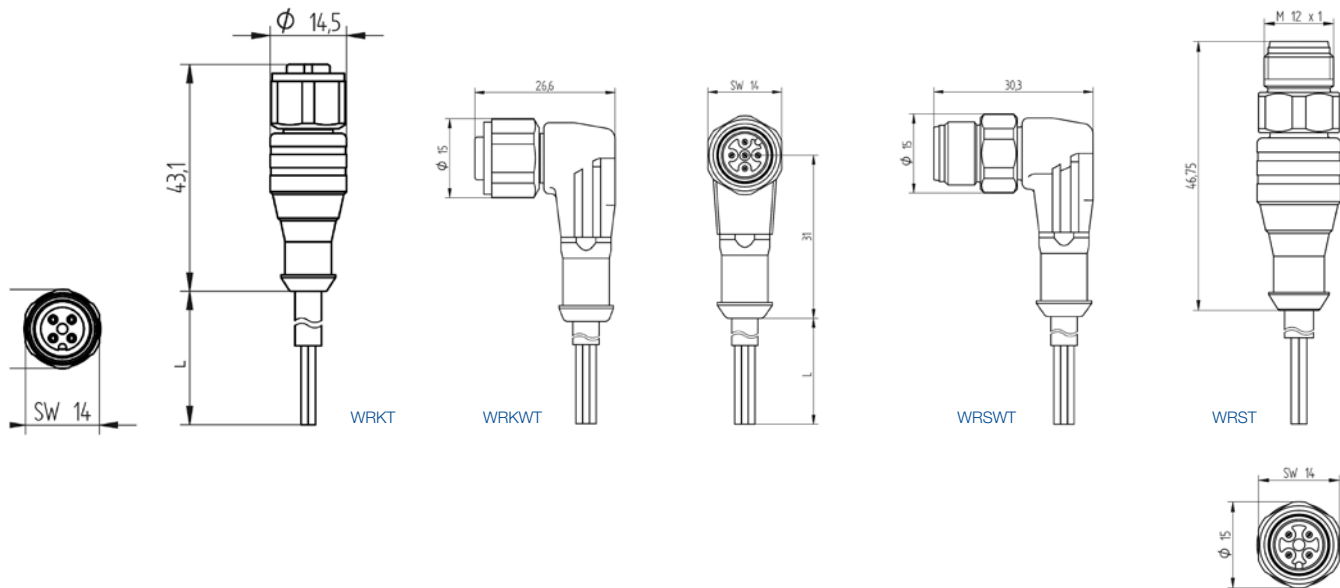
## Technical Information

| Product Description                                                  |                                                                                                                                                                                    |                                                                                                                                                                                      |                                                                                                                                                                                    |                                                                                                                                                                                      |
|----------------------------------------------------------------------|------------------------------------------------------------------------------------------------------------------------------------------------------------------------------------|--------------------------------------------------------------------------------------------------------------------------------------------------------------------------------------|------------------------------------------------------------------------------------------------------------------------------------------------------------------------------------|--------------------------------------------------------------------------------------------------------------------------------------------------------------------------------------|
| Type                                                                 | WRST/WRSWT                                                                                                                                                                         | WRKT   WRKWT                                                                                                                                                                         | WRSMV   WRSMWV                                                                                                                                                                     | WRKMV   WRKMWV                                                                                                                                                                       |
|                                                                      |                                                                                                   |                                                                                                     |                                                                                                 |                                                                                                   |
|                                                                      |                                                                                                   |                                                                                                     |                                                                                                  |                                                                                                   |
| <b>Description</b>                                                   | Actuator/sensor cordset, single-ended, M12 male connector and molded cable, hexagon screw in stainless steel, 3 to 8 poles – especially designed for use in wash-down applications | Actuator/sensor cordset, single-ended, M12 female connector and molded cable, hexagon screw in stainless steel, 3 to 8 poles – especially designed for use in wash-down applications | Actuator/sensor cordset, single-ended, M8 male connector and molded cable, hexagon screw in stainless steel, 3 and 4 poles – especially designed for use in wash-down applications | Actuator/sensor cordset, single-ended, M8 female connector and molded cable, hexagon screw in stainless steel, 3 and 4 poles – especially designed for use in wash-down applications |
| Technical Data                                                       |                                                                                                                                                                                    |                                                                                                                                                                                      |                                                                                                                                                                                    |                                                                                                                                                                                      |
| <b>Operating Temperature</b>                                         | -40°C to +105°C                                                                                                                                                                    |                                                                                                                                                                                      |                                                                                                                                                                                    |                                                                                                                                                                                      |
| <b>Housing/Molded Body</b>                                           | PP                                                                                                                                                                                 |                                                                                                                                                                                      |                                                                                                                                                                                    |                                                                                                                                                                                      |
| <b>Insert</b>                                                        | PP                                                                                                                                                                                 |                                                                                                                                                                                      |                                                                                                                                                                                    |                                                                                                                                                                                      |
| <b>Contact</b>                                                       | CuZn, gold-plated                                                                                                                                                                  |                                                                                                                                                                                      |                                                                                                                                                                                    |                                                                                                                                                                                      |
| <b>Receptacle Shell/Knurled Screw/-nut/Hexagon Screw/-nut/Sleeve</b> | Stainless steel                                                                                                                                                                    |                                                                                                                                                                                      |                                                                                                                                                                                    |                                                                                                                                                                                      |
| <b>O-Ring</b>                                                        | –                                                                                                                                                                                  | EPDM                                                                                                                                                                                 | –                                                                                                                                                                                  | EPDM                                                                                                                                                                                 |
| Mechanical Data                                                      |                                                                                                                                                                                    |                                                                                                                                                                                      |                                                                                                                                                                                    |                                                                                                                                                                                      |
| <b>Protection Class</b>                                              | IP67/IP68/IP69K (Only in locked position with its proper counterparts.)                                                                                                            |                                                                                                                                                                                      |                                                                                                                                                                                    |                                                                                                                                                                                      |
| Electrical Data                                                      |                                                                                                                                                                                    |                                                                                                                                                                                      |                                                                                                                                                                                    |                                                                                                                                                                                      |
| <b>Contact Resistance</b>                                            | ≤ 5 mΩ                                                                                                                                                                             | ≤ 5 mΩ                                                                                                                                                                               | ≤ 5 mΩ                                                                                                                                                                             | ≤ 5 mΩ                                                                                                                                                                               |
| <b>Nominal Current at 40°C</b>                                       | 3 to 5 poles 4 A<br>8 poles 2 A                                                                                                                                                    | 3 to 5 poles 4 A<br>8 poles 2 A                                                                                                                                                      | 3 to 4 poles 3 A                                                                                                                                                                   | 3 to 4 poles 3 A                                                                                                                                                                     |
| <b>Rated Voltage</b>                                                 | 3 to 4 poles 250 V<br>5 poles 60 V<br>8 poles 30 V                                                                                                                                 | 3 to 4 poles 250 V<br>5 poles 60 V<br>8 poles 30 V                                                                                                                                   | 3 poles 60 V<br>4 poles 30 V                                                                                                                                                       | 3 poles 60 V<br>4 poles 30 V                                                                                                                                                         |
| <b>Rated Impulse Voltage</b>                                         | 3 to 4 poles 2.5 kV<br>5 poles 1.5 kV<br>8 poles 0.8 kV                                                                                                                            | 3 to 4 poles 2.5 kV<br>5 poles 1.5 kV<br>8 poles 0.8 kV                                                                                                                              | 3 poles 1.5 kV<br>4 poles 0.8 kV                                                                                                                                                   | 3 poles 1.5 kV<br>4 poles 0.8 kV                                                                                                                                                     |
| <b>Insulation Resistance</b>                                         | > 10 <sup>9</sup> Ω                                                                                                                                                                | > 10 <sup>9</sup> Ω                                                                                                                                                                  | > 10 <sup>9</sup> Ω                                                                                                                                                                | > 10 <sup>9</sup> Ω                                                                                                                                                                  |
| <b>Pollution Degree</b>                                              | 3                                                                                                                                                                                  | 3                                                                                                                                                                                    | 3                                                                                                                                                                                  | 3                                                                                                                                                                                    |

If required, they are also available as M12/M12 cables, e.g. WRST...WRKWT... or M8/M12 cables e.g. WRSMV...WRKT... or M8/M8 cables, e.g. WRMSV...WRKMWV...



## Technical Data



## Belden® Connectivity Center

These days it is more important than ever to continuously increase the efficiency of production processes. Safe, cost-effective connectivity solutions for your machinery and plant play an important role in achieving this. Customized solutions tailored to your individual requirements enable you to substantially reduce your total cost of ownership. Thanks to the Belden Connectivity Center, the only one of its kind in the market, we are your worldwide partner when it comes to implementing such solutions, flexibly and rapidly, whether you need customized connectors and cable assemblies, or active and passive I/O modules for fieldbus or Ethernet networks – always in line with our motto “listen, understand, implement and deliver.” You will benefit both from the expertise of our knowledgeable specialists and from our extensive experience as a leading supplier of high-quality automation components. Let us utilize your challenges for our mutual success.

### Always Stay Ahead with Belden

In a highly competitive environment, it is crucial to have reliable partners who are able to add value to your business. When it comes to signal transmissions, Belden is the number one solutions provider. We understand your business and want to know your specific challenges and targets to see how effective signal transmission solutions can push you ahead of the competition. By combining the strengths of our three leading brands, Belden®, Hirschmann™, and Lumberg Automation™, we are able to offer the solution you need. Today it may be a single cable, a switch or a connector, thus solving a specific issue; tomorrow it can be a complex range of integrated applications, systems and solutions.

We guarantee the superior performance of your mission-critical systems, even in the most demanding circumstances. If signal transmission is vital to your business, get in touch with the partner that delivers. Be certain. Belden.

Product Overview

