

D-Size 1 3/8" Mini Power 3- and 4-Pole, Male/Female Receptacle, 1/2" / 3/4" NPT

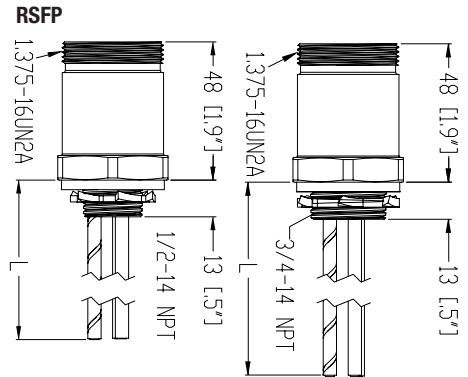
RSFP | RKFP

RSFP | RKFP

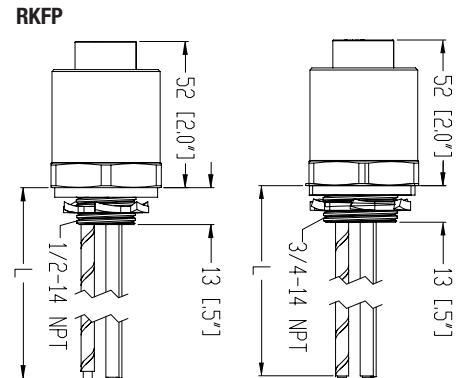


3- and 4-Pole

1 3/8" Power Mini 3- and 4-Pole, 10AWG, Male Receptacle, 1/2" / 3/4" NPT



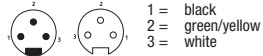
1 3/8" Power Mini 3- and 4-Pole, 10AWG, Female Receptacle, 1/2" / 3/4" NPT



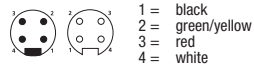
Pin Assignments

Face Views

3 pole
Male / Female



4 pole
Male / Female



Be Certain with Belden

D-Size 1 3/8" Mini Power 3- and 4-Pole, Male/Female Receptacle, 1/2" / 3/4" NPT RSFP | RKFP

Technical Data

Environmental

Degree of protection NEMA 6P-IP68, IP67
Operating temperature range -30°C (-86°F) / +90°C (194°F)

Mechanical




Housing / Molded body PVC / Black
Contact carrier CuZn Alloy / Gold over Ni Plated
Shell CuZn/ Ni
Coupling nut Steel over Zn plated
Conductor insulation: PVC

Electrical

Voltage rating 600 V

Approvals

Wire Approvals UL-1015

Part Number		Pins	Wire conductors	Current Rating	Standard Cable Lengths	Characteristics
Male	Female					
RSFP 3-1/2NPT-800/...M	RKFP 3-1/2NPT-800/...M	3	10AWG	30A	0.5M / 1M / 3M	
RSFP 4-1/2NPT-803/...M	RKFP 4-1/2NPT-803/...M	4	10AWG	25A	0.5M / 1M / 3M	
RSFP 3-3/4NPT-800/...M	RKFP 3-3/4NPT-800/...M	3	10AWG	30A	0.5M / 1M / 3M	
RSFP 4-3/4NPT-803/...M	RKFP 4-3/4NPT-803/...M	4	10AWG	25A	0.5M / 1M / 3M	