

M8-Receptacle Connectors In Accordance With IEC 61076-2-104

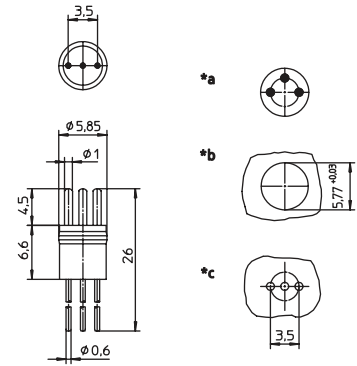
RSME | RSMEK | RSMEK...L



Male, 3- and 4-Pole

Receptacle connector, M8 male connector for sensors, with long solder contacts, solid contacts on solder side.

RSME



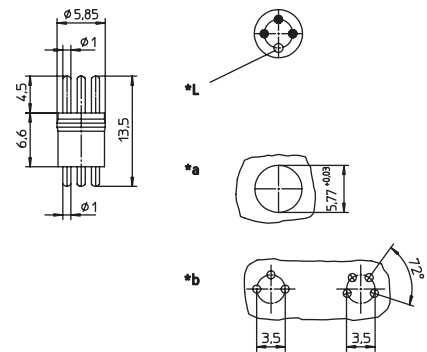
*a front view
*b cut out
*c hole pattern in printed circuit board



Male, 3- and 4-Pole

Receptacle connector, M8 male connector for sensors, with short solder contacts, solid contacts on solder side, RSMEK...L: with ventilation hole 1.1 mm Ø.

RSMEK | RSMEK...L

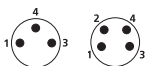


*a cut out
*b hole pattern in printed circuit board
*L ventilation hole Ø 1.1 mm

Pin Assignments

Face Views

M8 - 3 and 4 poles





Be Certain with Belden

M8-Receptacle Connectors In Accordance With IEC 61076-2-104
 RSME | RSMEK | RSMEK...L

Technical Data

Environmental

Degree of protection IP 67 / NEMA 6P
 Operating temperature range -25°C (-13°F) / +80°C (+176°F)

Mechanical

Insert PA
 Contact CuZn, pre-nickel and 0.8 microns gold-plated

Electrical

Contact resistance ≤ 5 mΩ
 Nominal current at 40°C 4 A
 Nominal voltage 60 V
 Rated voltage 63 V
 Test voltage 1.5 kV eff. / 60 s
 Insulation resistance > 10⁹ Ω
 Pollution degree 3

| Part Number | Pins | Ventilation hole | Contact (soldering side) | Characteristics |
|-------------|------|------------------|--------------------------|-----------------|
| RSME 3 | 3 | | solid contact | |
| RSMEK 3L | | 1.1 mm Ø | solid contact | |
| RSMEK 4 | 4 | | solid contact | |