

Mini, 7/8"-Round-Plug Connector, Double-Ended Cordsets, EURO AC Color Code

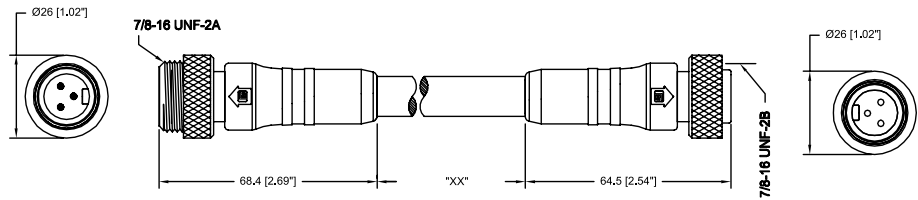
RSRK 30 | RSRKW 30



3-Poles

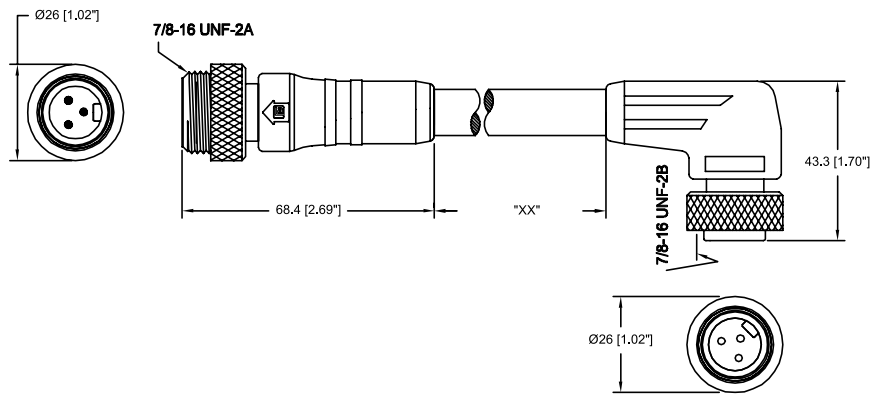
Mini, 7/8" double-ended cordsets, male straight with external threads to female straight connector, 3-poles with molded cable, IEC color code.

RSRK



Mini, 7/8" double-ended cordsets, male straight with external threads to female 90° connector, 3-poles with molded cable, IEC color code.

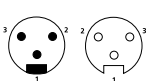
RSRKW



Pin Assignments

Mini, 7/8" - Male / Female

3 poles



- 1 = yellow/green
- 2 = brown
- 3 = blue

Be Certain with Belden



Mini, 7/8"-Round-Plug Connector, Double-Ended Cordsets, EURO AC Color Code RSRK 30 | RSRKW 30

Technical Data

Environmental

Degree of protection IP 67 / NEMA 6P
Operating temperature range -40°C (-40°F) / +90°C (194°F)

Mechanical

Housing / Molded body TPU, yellow
Insert TPU, yellow
Contact CuZn, gold over silver plated
Coupling nut Aluminum, anodized black

Electrical

Current rating 8 A
Voltage rating 300 V

Cable Specifications - EURO AC Color Code

Cable No.	Outer Jacket	Gauge	Jacket Color	OD	Temperature Rating	Agency Approvals
601	PVC	18AWG	Yellow	.290" (7.4 mm)	-40°C (-40°F) to +105°C (221°F)	UL: AWM 2661 / CSA: AWM I/II A/B

Cordsets
Double-Ended

Part Number	Pins	Outer Jacket	Standard Cable Lengths	Characteristics
RSRK 30-601/...M RSRKW 30-601/...M	3	PVC	2 M / 5 M / 10 M	