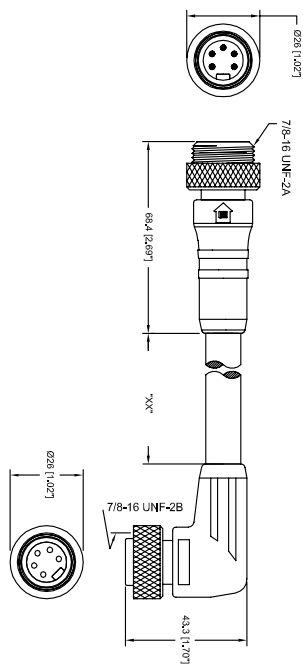


Mini Double-Ended Cordsets

RSRKW 30-838 | RSRKW 40-839 | RSRKW 50-877



Description

MINI, Double-Ended Cordset, Straight Male (external threads) to Right Angle Female (internal threads), 3-, 4- and 5-Pole, 16 AWG, Yellow TPE (TC-ER) Cable, U.S. Color Code, IP 68 and NEMA 6P Rated.

Technical Data

Material

Molded body	PUR, yellow
Coupling nut	Aluminum, e-coated or anodized black
Contacts	Brass, gold over nickel plated
Insert	PUR, yellow

Electrical

Current rating	8 A
Voltage rating	600 V

Mechanical

Temperature	-30°C to + 90°C
Protection	IP 68, NEMA 6P

Cable

Jacket	Yellow, TPE
Gauge	16 AWG stranded copper
UL Approval	TC-ER
Outside diameter	838: .315" 839: .342" 877: .371"

Part Number

RSRKW 30-838/1M
RSRKW 30-838/2M
RSRKW 30-838/3M
RSRKW 30-838/5M
RSRKW 30-838/10M
RSRKW 30-838/20M
RSRKW 40-839/1M
RSRKW 40-839/2M
RSRKW 40-839/3M
RSRKW 40-839/5M
RSRKW 40-839/10M
RSRKW 40-839/20M
RSRKW 50-877/1M
RSRKW 50-877/2M
RSRKW 50-877/3M
RSRKW 50-877/5M
RSRKW 50-877/10M
RSRKW 50-877/20M

Pin Assignments

Face View 7/8"

