

**M8-Round-Plug Connector, Single-Ended Cordsets,  
According to IEC 61976-2-104**

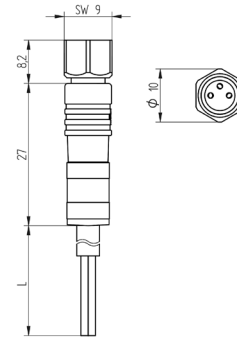
WRKMV | WRKMWV



**3- and 4-Poles**

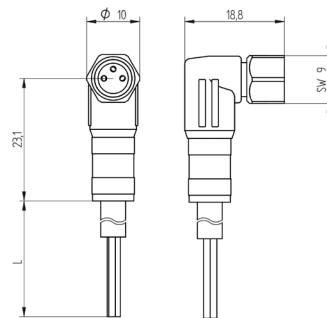
Actuator/sensor cord set, single ended, straight  
M8 female connector and molded cable,  
hexagon screw in stainless steel, 3 and 4 poles.  
– especially designed for use in  
wash-down applications –  
Actuator/sensor cord set, single ended, right-

WRKMV



angle M8 female connector and molded cable,  
hexagon screw in stainless steel, 3 and 4 poles.  
– especially designed for use in  
wash-down applications –

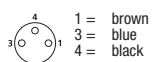
WRKMWV



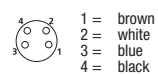
**Pin Assignments**

M8

**3 poles**



**4 poles**



# Be Certain with Belden

## M8-Round-Plug Connector, Single-Ended Cordsets, According to IEC 61976-2-104 WRKMV | WRKMWV

### Technical Data

#### Environmental

Degree of protection (IEC 60529)	IP67 / IP68 / IP69K
Operating temperature range	-40°C (-40°F) / +105°C (+221°F)

#### Mechanical

Housing / Molded body	PP, white
Insert	PP, white
Contact	CuSn
Contact surface	Cu/Au
Hexagon screw	Stainless Steel (V4A)
O-ring	EPDM

#### Electrical data

Contact resistance	≤ 5 mΩ
Rated current	4 A
Rated voltage	3-pole: 60 V 4-pole: 30 V
Rated impulse voltage	3 pole: 1.5 kV 4 pole: 0.8 kV
Insulation resistance	> 10 <sup>9</sup> Ω

#### Approvals

UL	pending, UL-file no. E315587
ECOLAB	UL-temperature range +65°C

#### Cable Specifications

Cable No.	Outer Jacket	Conductor Size	Jacket Color	OD
520	TPE	3x0,25 mm <sup>2</sup>	Orange	∅ 4,3 ± 0,2 mm
521	TPE	4x0,25 mm <sup>2</sup>	Orange	∅ 4,7 ± 0,2 mm

Part Number		Pins	Outer Jacket	Standard Cable Lengths	Characteristics
WRKMV 3-520/...M	WRKMWV 3-520/...M	3	TPE	2 M   5 M   10 M   15 M   20 M   25 M	  
WRKMV 4-521/...M	WRKMWV 4-521/...M	4	TPE	2 M   5 M   10 M   15 M   20 M   25 M	  