

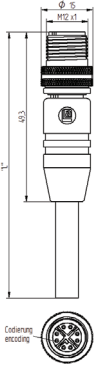
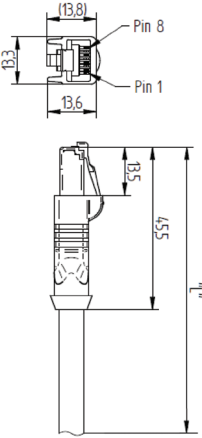
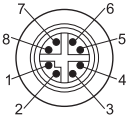






## Gigabit Shielded Ethernet Single-Ended Cord Sets

Foil/Braid Shield, 26 AWG, PUR Jacket

Type	0985 478 600	0985 478 602																
																		
Product description	Cord sets, single-ended, M12, Industrial Ethernet data cable for Gigabit applications, molded, 8 poles X coded, 2, 5 and 10 meter cable lengths.	Cord set, single-ended, RJ45, Industrial Ethernet data cable, for Gigabit applications, 8 pole 2, 5 and 10 meter cable lengths.																
Note	Transmission properties for Cat 6 and Cat 6A compliant with IEC PAS 61076-2-109. The application of these products in harsh environments should always be checked before use.																	
Color of housing	black																	
Number of contacts	8																	
Product characteristics	Oil resistance, EMC resistance, Drag chains suitable, UV resistance																	
Ordering information	<table border="1"> <thead> <tr> <th>Part number</th> <th>Order number</th> </tr> </thead> <tbody> <tr> <td>0985 478 600/2M</td> <td>934-637-025</td> </tr> <tr> <td>0985 478 600/5M</td> <td>934-637-026</td> </tr> <tr> <td>0985 478 600/10M</td> <td>934-637-027</td> </tr> </tbody> </table>	Part number	Order number	0985 478 600/2M	934-637-025	0985 478 600/5M	934-637-026	0985 478 600/10M	934-637-027	<table border="1"> <thead> <tr> <th>Part number</th> <th>Order number</th> </tr> </thead> <tbody> <tr> <td>0985 478 602/2M</td> <td>Upon request</td> </tr> <tr> <td>0985 478 602/5M</td> <td>Upon request</td> </tr> <tr> <td>0985 478 602/10M</td> <td>Upon request</td> </tr> </tbody> </table>	Part number	Order number	0985 478 602/2M	Upon request	0985 478 602/5M	Upon request	0985 478 602/10M	Upon request
Part number	Order number																	
0985 478 600/2M	934-637-025																	
0985 478 600/5M	934-637-026																	
0985 478 600/10M	934-637-027																	
Part number	Order number																	
0985 478 602/2M	Upon request																	
0985 478 602/5M	Upon request																	
0985 478 602/10M	Upon request																	
Technical illustration	<p>M12</p> 	<p>RJ45</p> 																
Face views / Wiring	 <table border="0"> <tr> <td>1 = white/orange</td> <td>5 = white/brown</td> </tr> <tr> <td>2 = orange</td> <td>6 = brown</td> </tr> <tr> <td>3 = white/green</td> <td>7 = white/blue</td> </tr> <tr> <td>4 = green</td> <td>8 = blue</td> </tr> </table>	1 = white/orange	5 = white/brown	2 = orange	6 = brown	3 = white/green	7 = white/blue	4 = green	8 = blue	 <table border="0"> <tr> <td>1 = white/orange</td> <td>5 = white/brown</td> </tr> <tr> <td>2 = orange</td> <td>6 = brown</td> </tr> <tr> <td>3 = white/green</td> <td>7 = white/blue</td> </tr> <tr> <td>4 = green</td> <td>8 = blue</td> </tr> </table>	1 = white/orange	5 = white/brown	2 = orange	6 = brown	3 = white/green	7 = white/blue	4 = green	8 = blue
1 = white/orange	5 = white/brown																	
2 = orange	6 = brown																	
3 = white/green	7 = white/blue																	
4 = green	8 = blue																	
1 = white/orange	5 = white/brown																	
2 = orange	6 = brown																	
3 = white/green	7 = white/blue																	
4 = green	8 = blue																	

## Gigabit Shielded Ethernet Single-Ended Cord Sets

Foil/Braid Shield, 26 AWG, PUR Jacket

Environmental conditions	0985 478 600	0985 478 602
Degree of protection (IP), mounted	IP 67	IP20
Environmental temperature	-30°C to 90°C	-20°C to +75°C
Pollution degree	3	
<b>Classifications</b>		
Belden class	Industrial Ethernet Data Cables	
Belden brand	Lumberg Automation	
<b>Mechanical data</b>		
Type of plug-in contact	Male	
Design of housing	Straight	
Thread	M12	N/A
Coding	X	-
<b>Materials</b>		
Housing material / Molded body	TPU, black	TPU
Contact bearer material	PA	PC
Contact material	CuSn	
Contact material / Surface refinement	gold-plated	
Knurled screw / nut material	CuZn, nickel-plated	
<b>Approvals</b>		
Approvals	IP67 (IEC 60529)	-
RoHS 2002/95 EG compliant	yes	
<b>Cable specifications</b>		
Cable jacket	PUR	
Color	Black	
Gauge	26 AWG	
Overall diameter	6.5 mm	
Conductor	8	
Insulation	PE	
Foil shield	yes	
Braided shield	yes	
<b>Electrical data</b>		
Contact resistance	≤ 5 mΩ	
Rated current In	0.5 A	1 A at 40°C
Nominal voltage	48 V	50 V
Insulation resistance	> 1 GΩ	
<b>Characteristics</b>		
		

The application of these products in harsh environments should always be checked before use.  
 Specifications subject to alteration.