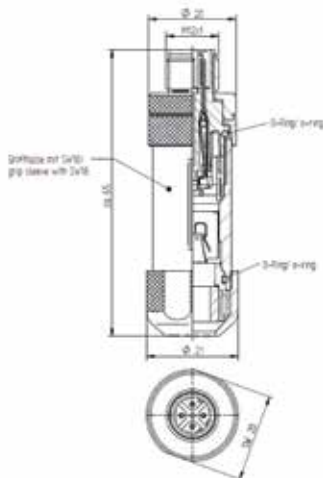
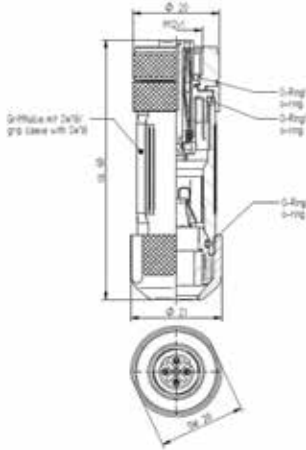


## Ethernet Shieldable Field Attachable Connectors for Railway Applications

4-poles, Female and Male Connectors with Sprint-Type Terminals



Type	0986 EFC 107	0986 EMC 105
<b>Product description</b>	Field attachable connector, M12 female connector with threaded joint, shieldable, assembling with spring-type terminals, 4 poles, D coding.	Field attachable connector, M12 male connector with threaded joint, shieldable, assembling with spring-type terminals, 4 poles, D coding.
<b>Environmental</b>		
<b>Degree of protection</b>	IP 67 (only in locked position with it proper counterparts.)	
<b>Operating temperature range</b>	-40 °C to 90 °C	
<b>Pollution degree</b>	3	
<b>Description</b>		
<b>Order Number</b>	109969	109471
<b>Note</b>	Cat 5 and Cat 5e transmission properties according to ISO IEC 11801 and TIA/EIA-568-B.2. The application of these products in harsh environments should always be checked before use.	
<b>Color housing</b>	Silver	
<b>Number of contacts</b>	4	
<b>Mechanical</b>		
<b>Type of plug-in contact</b>	Male	Female
<b>Thread</b>	M12	
<b>Design of electrical connection</b>	spring-type terminals	
<b>Coding of the M12 round plug</b>	D	
<b>Connectable conductor cross-section multiple wire (without sleeve)</b>	0.14 - 0.50 mm <sup>2</sup>	
<b>connectable conductor cross-section multiple wire (with sleeve)</b>	0.14 mm <sup>2</sup>	
<b>Materials</b>		
<b>Housing</b>	GD-ZnAl	
<b>Insert / Contact bearer</b>	PBT	
<b>Contact material</b>	stainless steel	
<b>Contact material - Surface refinement</b>	silver-plated and gold-plated	
<b>Knurled screw / nut material</b>	CuZn, nickel-plated	
<b>Sealing material</b>	EPDM	
<b>Shield sleeve</b>	Shield contacting spring: CuBe, tined	
<b>Electrical</b>		
<b>Contact resistance</b>	≤ 5 mΩ	
<b>Nominal current at 40° C</b>	4A at 40°C	
<b>Nominal voltage</b>	60 V	
<b>Rated voltage</b>	250 V	
<b>Test voltage</b>	1.5 kV eff. /60 s	
<b>Insulation resistance</b>	> 1 GΩ	
<b>Approvals</b>		
<b>Approvals</b>	EN 50155, IEC 61373, DIN CLC/TS 50467, DIN CEN/TS 45545, DIN 5510	
<b>RoHS 2002/95/EG compliant</b>	yes	

The application of these products in harsh environments should always be checked before use. Specifications subject to alteration.

### Face View

Male



Part number	Order number
0986 EFC 107	109969
0986 EMC 105	109471

